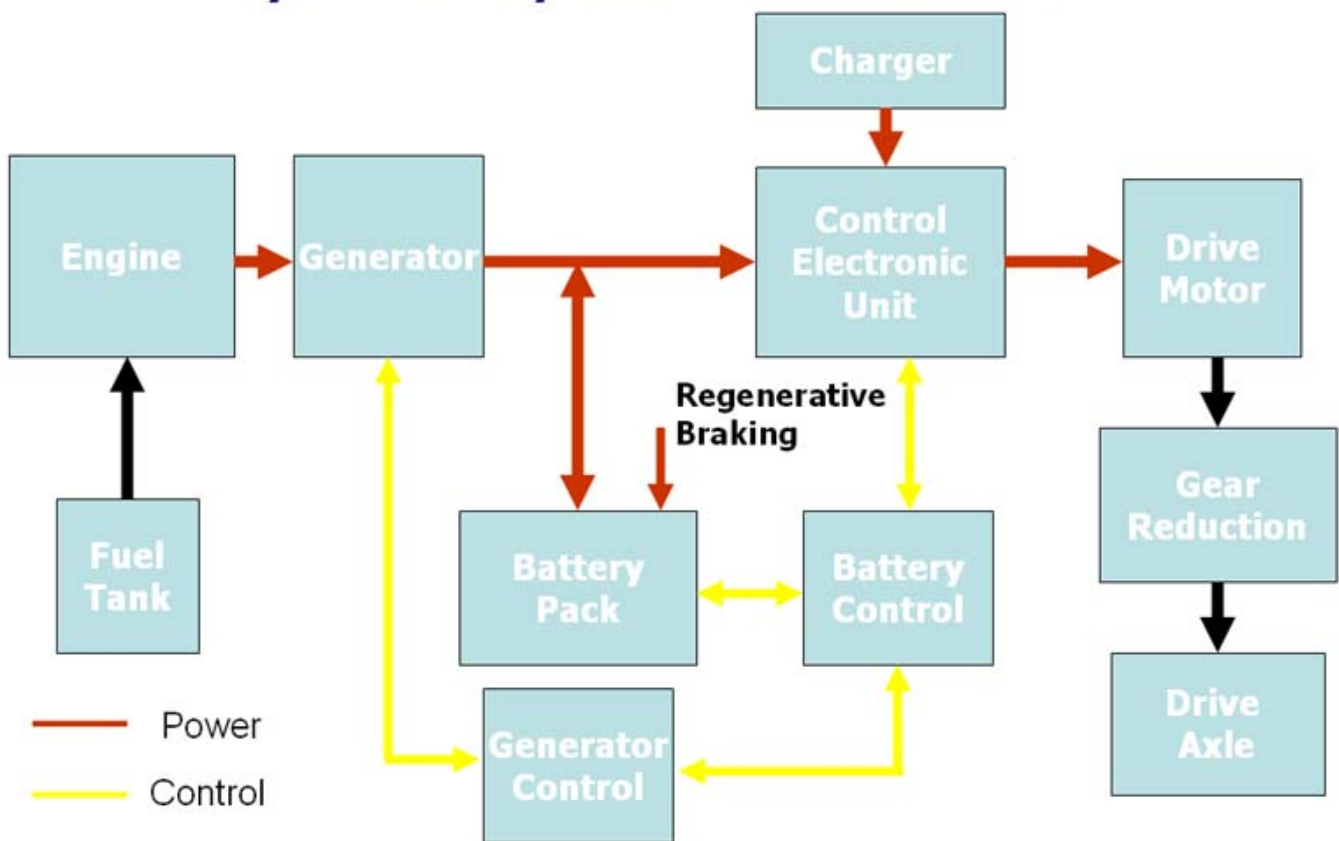




DOWNLOAD

[The Mac Hacker 039:s Handbook Pdf Download](#)

Hybrid System Overview



[The Mac Hacker 039:s Handbook Pdf Download](#)



Charlie Miller The Mac Hacker's Handbook When you know how they get in, you'll know how to keep them out.. Any price and availability information displayed on the Amazon site at the time of purchase will apply to the purchase of this product.

1. [hacker handbook](#)
2. [hacker handbook pdf](#)
3. [hacker handbook 2](#)

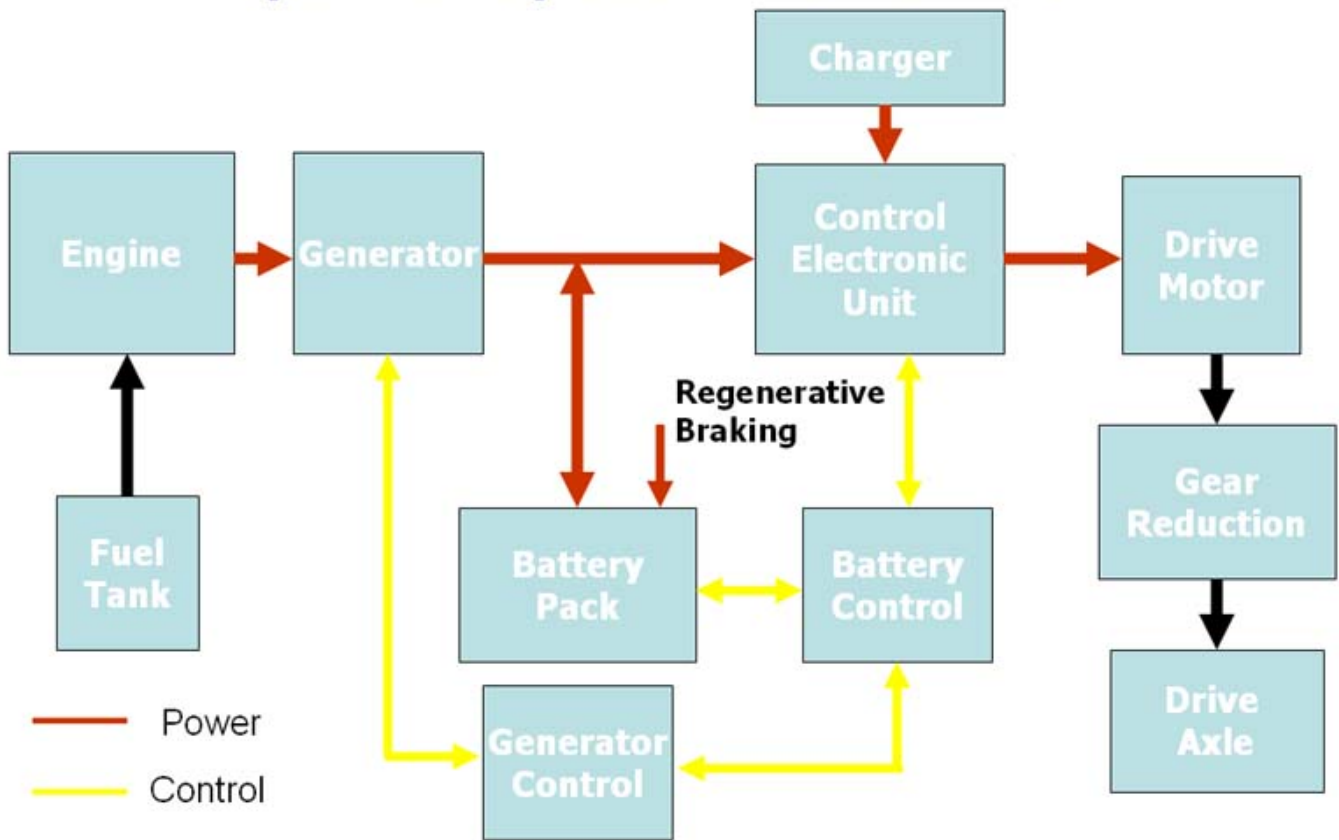
23 MB Uploaded: 2017-06-9 02:17:16 Status: AVAILABLE Last checked: 56 Minutes ago! Rating: ★★★★★ 93 out of 100 based on 7772 user.. Hackers handbook free download - Hackers, Block Hackers, Free Spoken English Handbook, and many more programs.

hacker handbook

hacker handbook, hacker handle, hacker handbook pdf, hacker handbook 2 pdf, hacker handbook 2, hacker handleless kitchen, hacker handbook pdf hindi, hacker handles list, hacker handwriting, hacker handbook web application pdf, hacker handles [تحميل](#)
[برنامج مكالمات الصوتيه على الفيس بوك تشغيل](#)

Amazon Price: N/A (as of May 28, 2017 6:19 am – Details) Product prices and availability are accurate as of the date/time indicated and are subject to change.. To arrange the heap to overwrite Charlie Miller: The Mac Hacker's Handbook Download PDF MOBi EPUB Kindle Description Editorial Reviews From the Back Cover The honeymoon is over.. Dino Dai Zovi won the first CanSecWest Pwn2Own contest in 2007 and was named one of the 15 Most Influential People in Security by eWEEK.. This distinctive tome is the first book to uncover the problems inside the Mac OS X working system—and recommendations on how to deal with them. [jaane kya chahe man bawra mp3 download 320 kbps](#)

Hybrid System Overview



[Ms Office Will Not Install](#)

hacker handbook pdf

[Word 2011 For Mac High Sierra](#)

Beginning with the core differences between Mac OS X and Windows or Linux, this book follows the steps an attacker would take.. The Mac Hacker's Handbook Author: Charles Miller, Dino Dai Zovi \$ 62 00 \$ 13. [Download Lagu Radja Mp3 Sebelum Kau Benar2 Pergi](#)

hacker handbook 2

[Pirates 2005 Sub Indo](#)

You will learn the tools needed to find vulnerabilities, the techniques used to exploit them, and the means by which attackers maintain control once they gain access.. As more and more vulnerabilities are found inside the Mac OS X (Leopard) working system, security researchers are realizing the importance of making proof-of-concept exploits for these vulnerabilities.. 99 Version: PDF, EPUB or MOBI (No missing content) Delivery: Download the book instantly after payment; Especially: Unlimited downloads, share with friends and printable.. Most of the times, it has been believed that the readers, who are using the eBooks for first time, happen to truly have a tough time before getting used to them.. The Mac Hackers Handbook pdf - PDF Archive 377 Pages 2011 7 08 MB 9 Downloads Mar 1, 2011 QuickTime file format and the RTSP protocol utilized by QuickTime Player.. The Mac Hacker's Handbook pdf File Name: The Mac Hacker's Handbook pdf Size: 29.. Prepare yourself to thwart Mac attacks If you manage security for a network that includes OS X machines, this update on the strengths and

weaknesses of Mac OS X is required reading.. Written by two white hat hackers, this book is aimed towards making essential information acknowledged in order to find strategies to protected your Mac OS X strategies, and examines the sorts of assaults that are prevented by Leopard's security defenses, what assaults aren't, and the way one can biggest cope with these weaknesses. cea114251b [terraria 1.3.0.8 free download pc](#)

cea114251b

[download school 2015 sub indonesia](#)